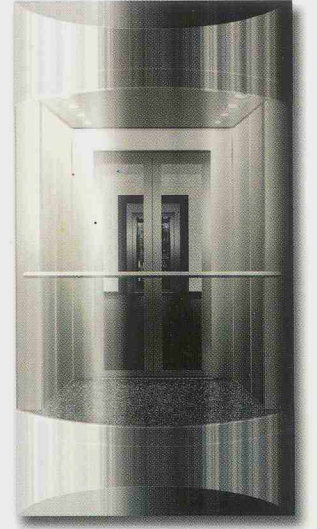


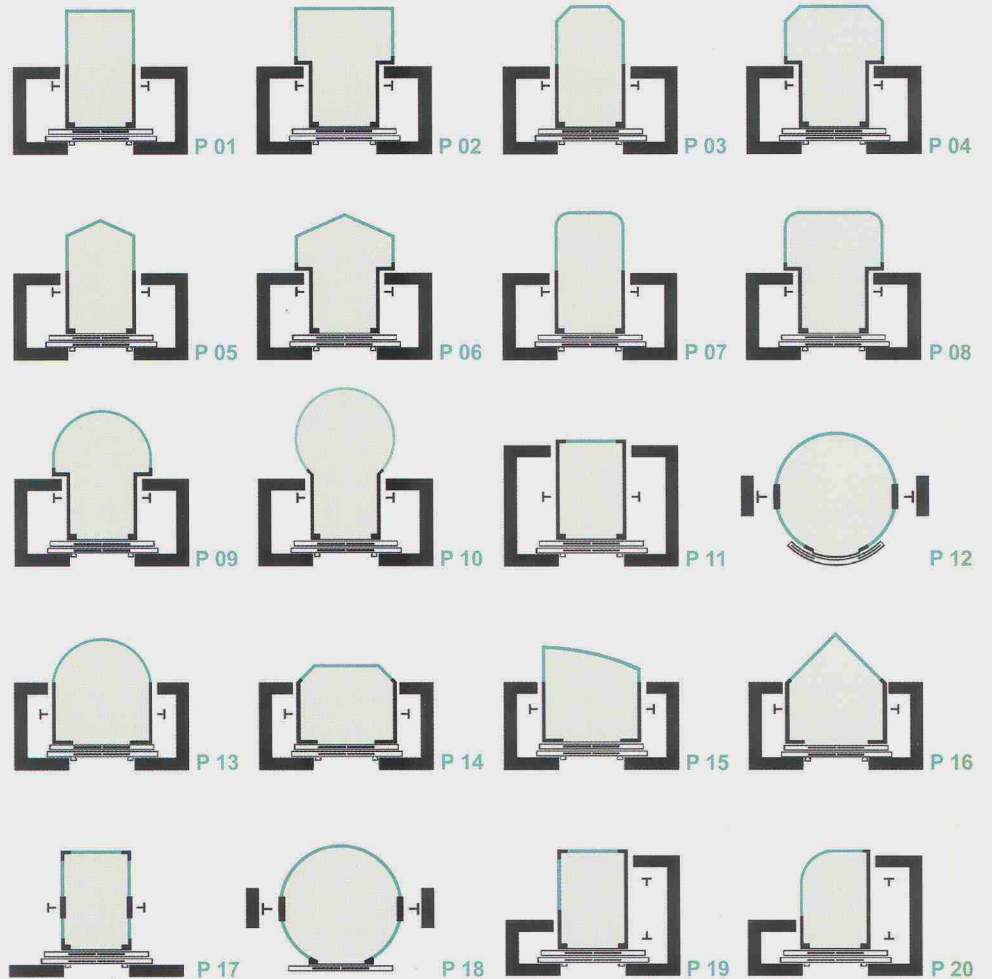
PANORAMIC LIFT CARS
PANORAMİK KABİNLER

ECOLINE
ISOLINE
CITYLINE
SPECIALINE

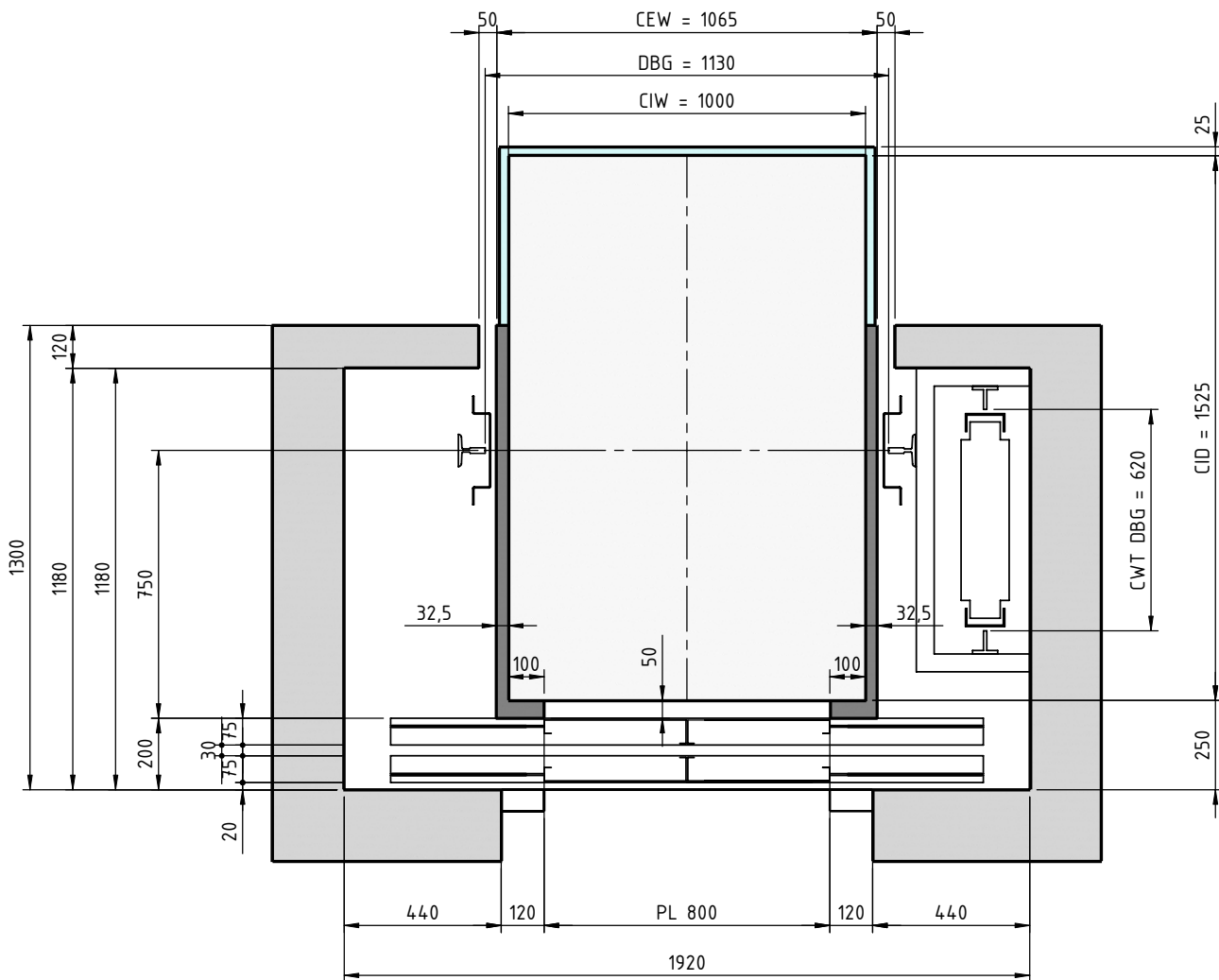


P 09 / ZURICH

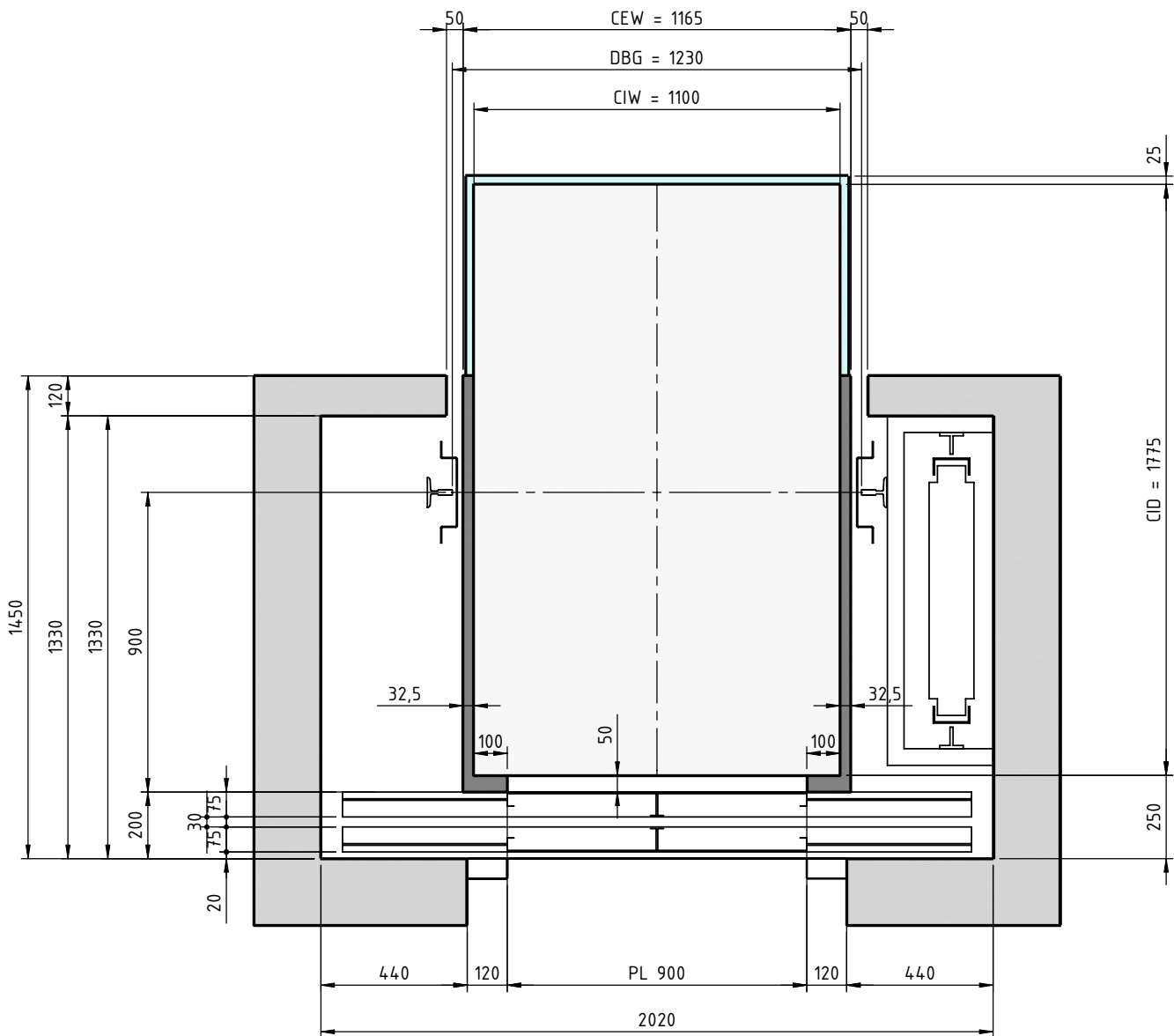
COMPETENCE IN COMPONENTS



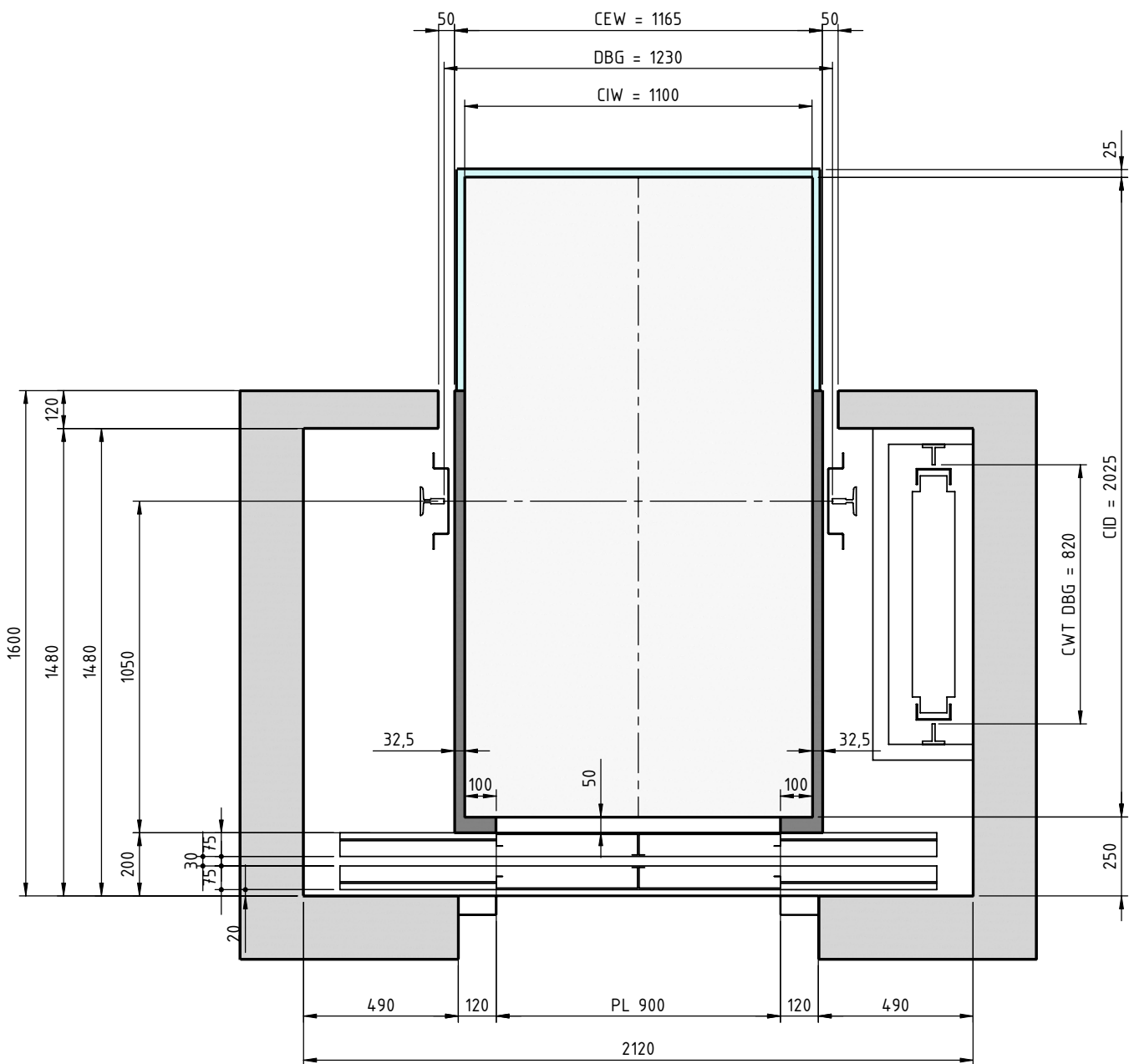
Shape = P01
 Rated Load = 630 kg
 Traction = Electric



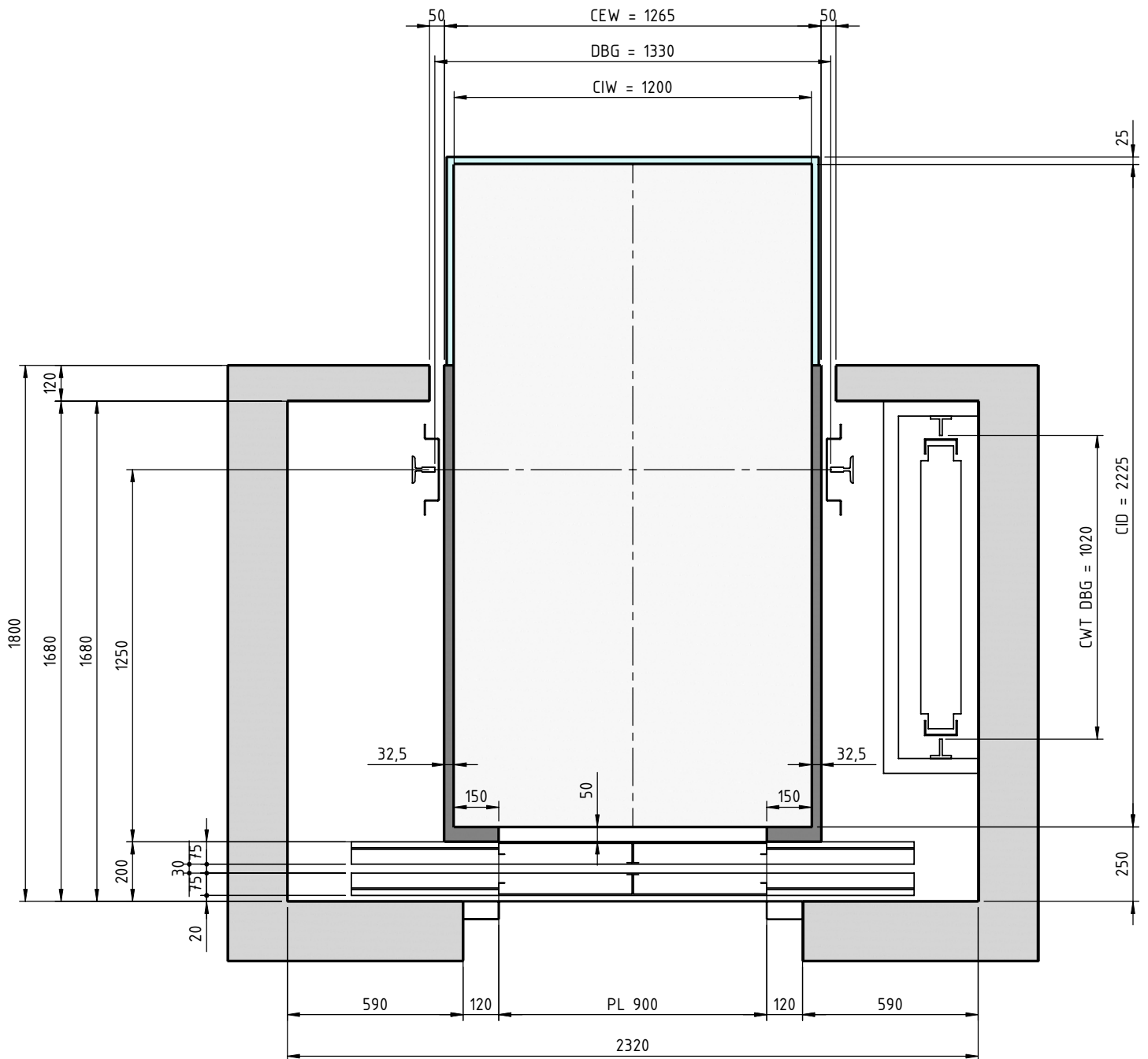
Shape = P01
 Rated Load = 800 kg
 Traction = Electric



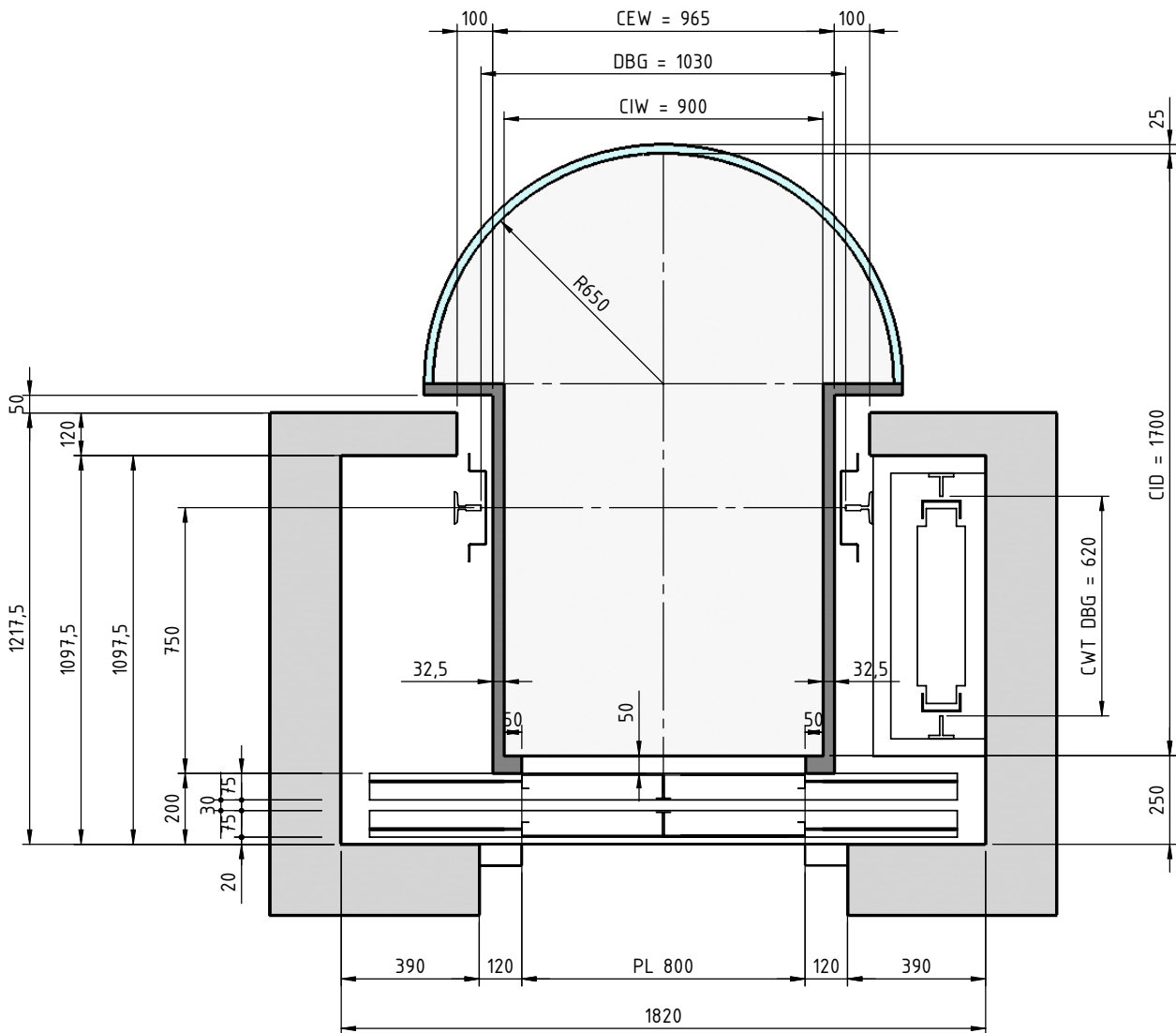
Shape = P01
 Rated Load = 1000 kg
 Traction = Electric



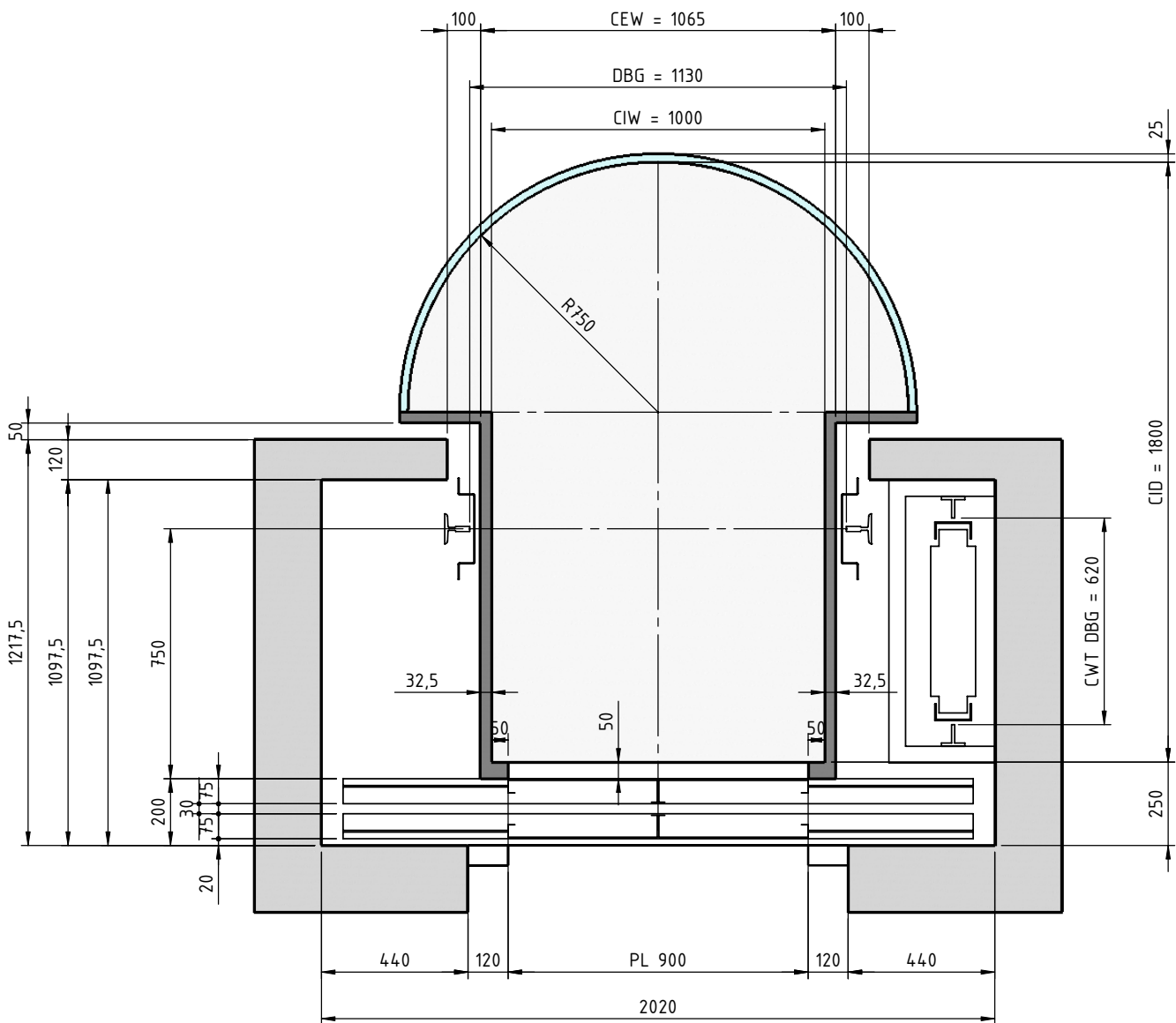
Shape = P01
 Rated Load = 1275 kg
 Traction = Electric



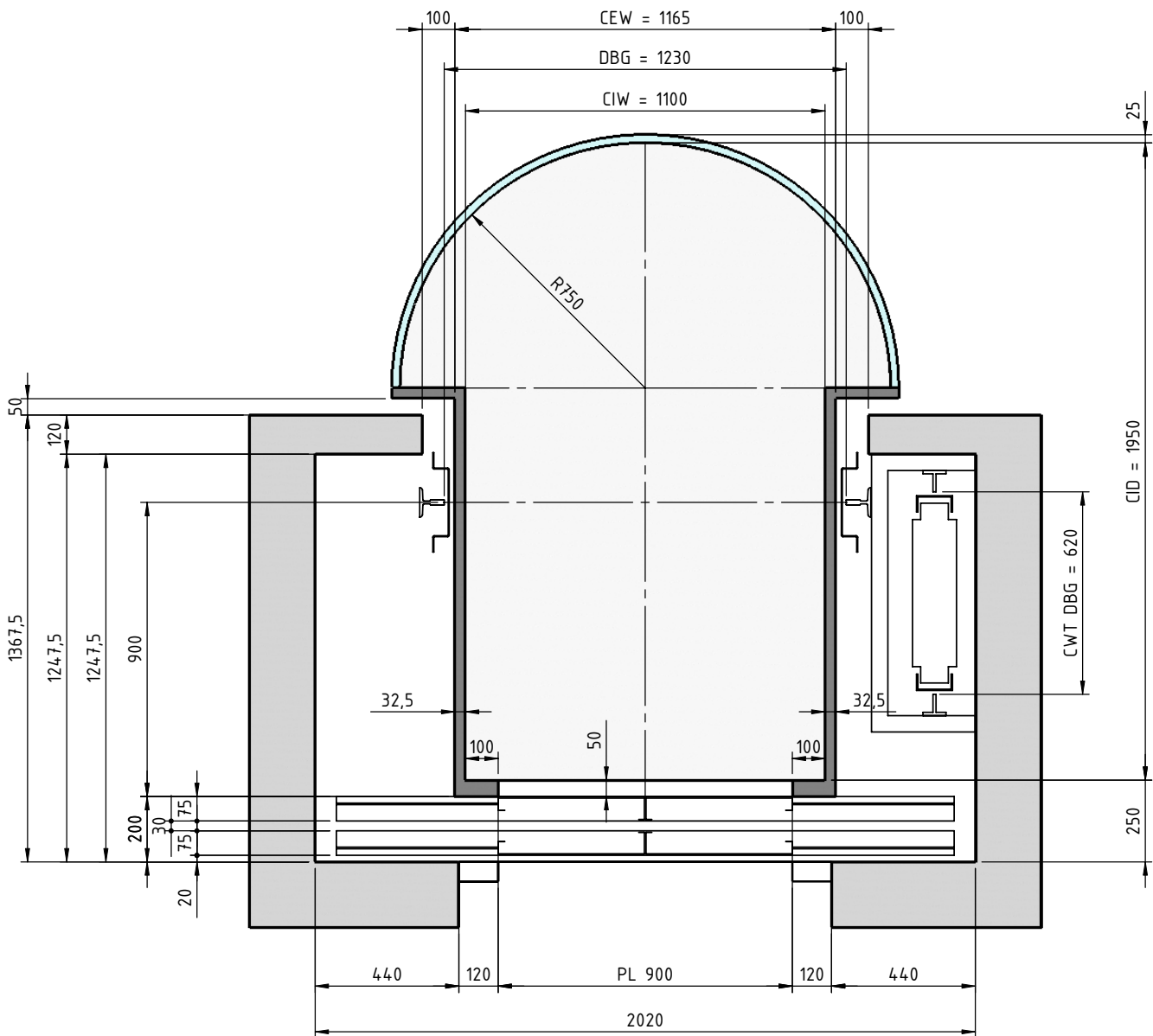
Shape = P09
 Rated Load = 630 kg
 Traction = Electric



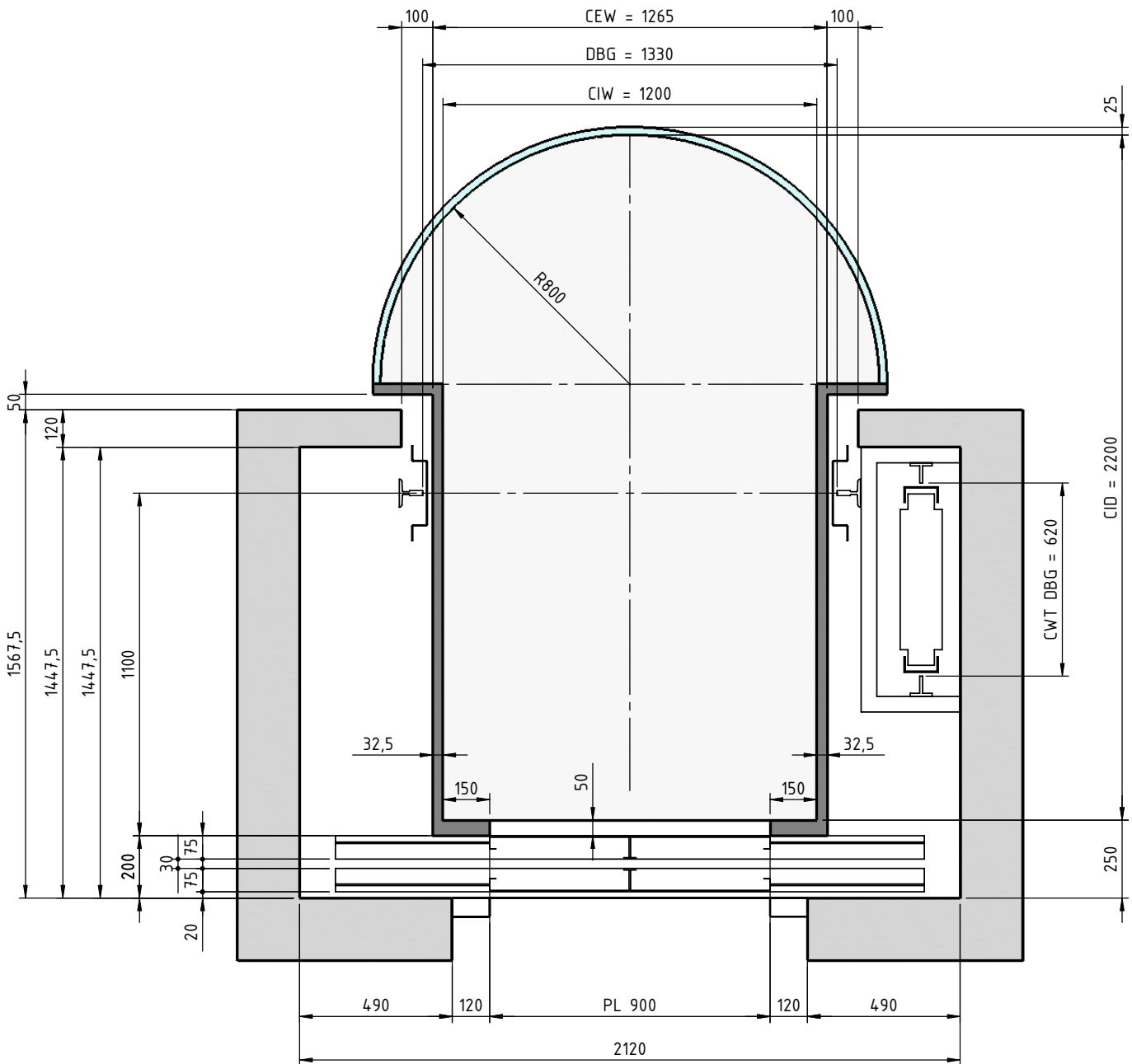
Shape = P09
 Rated Load = 800 kg
 Traction = Electric



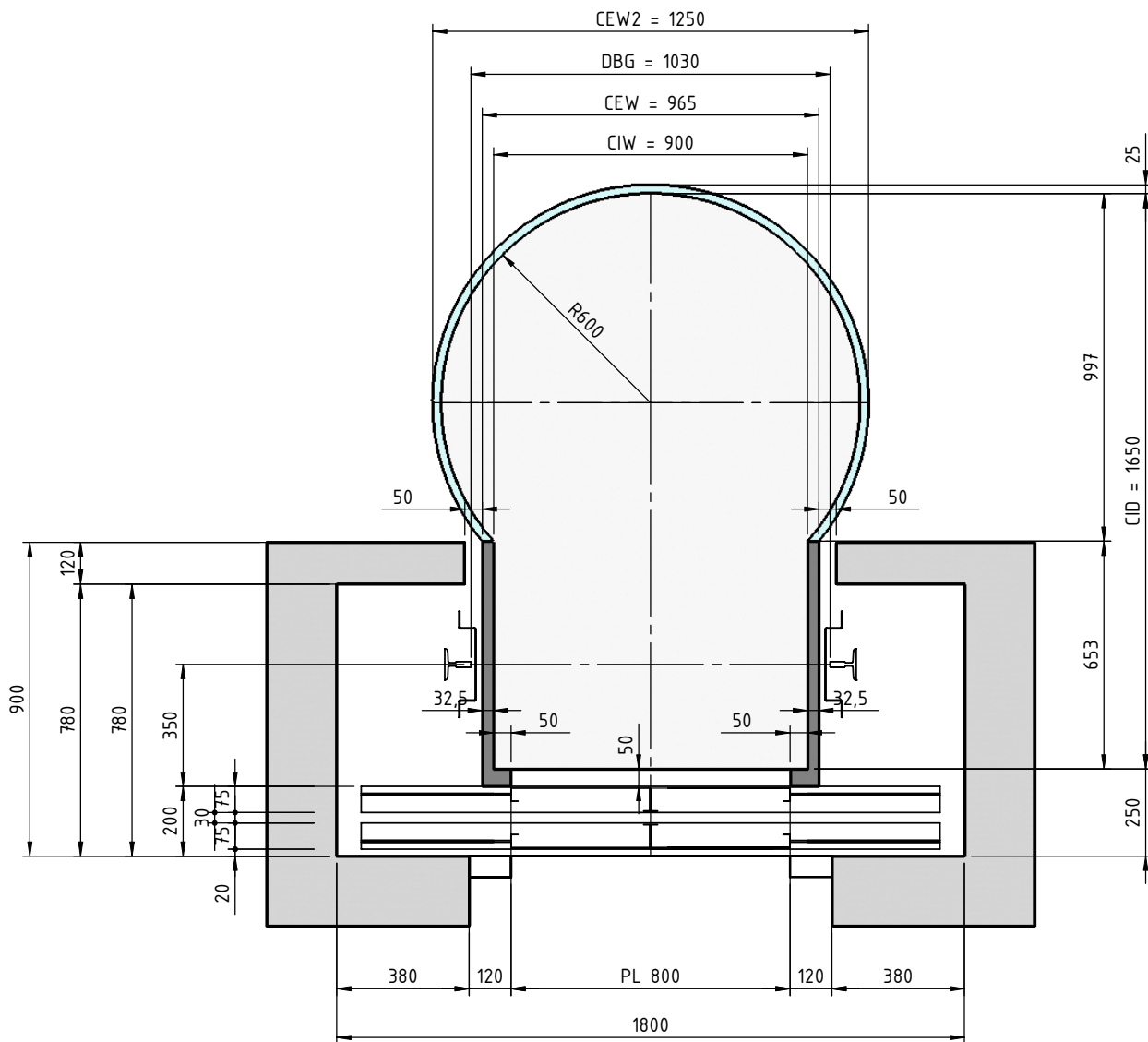
Shape = P09
 Rated Load = 1000 kg
 Traction = Electric



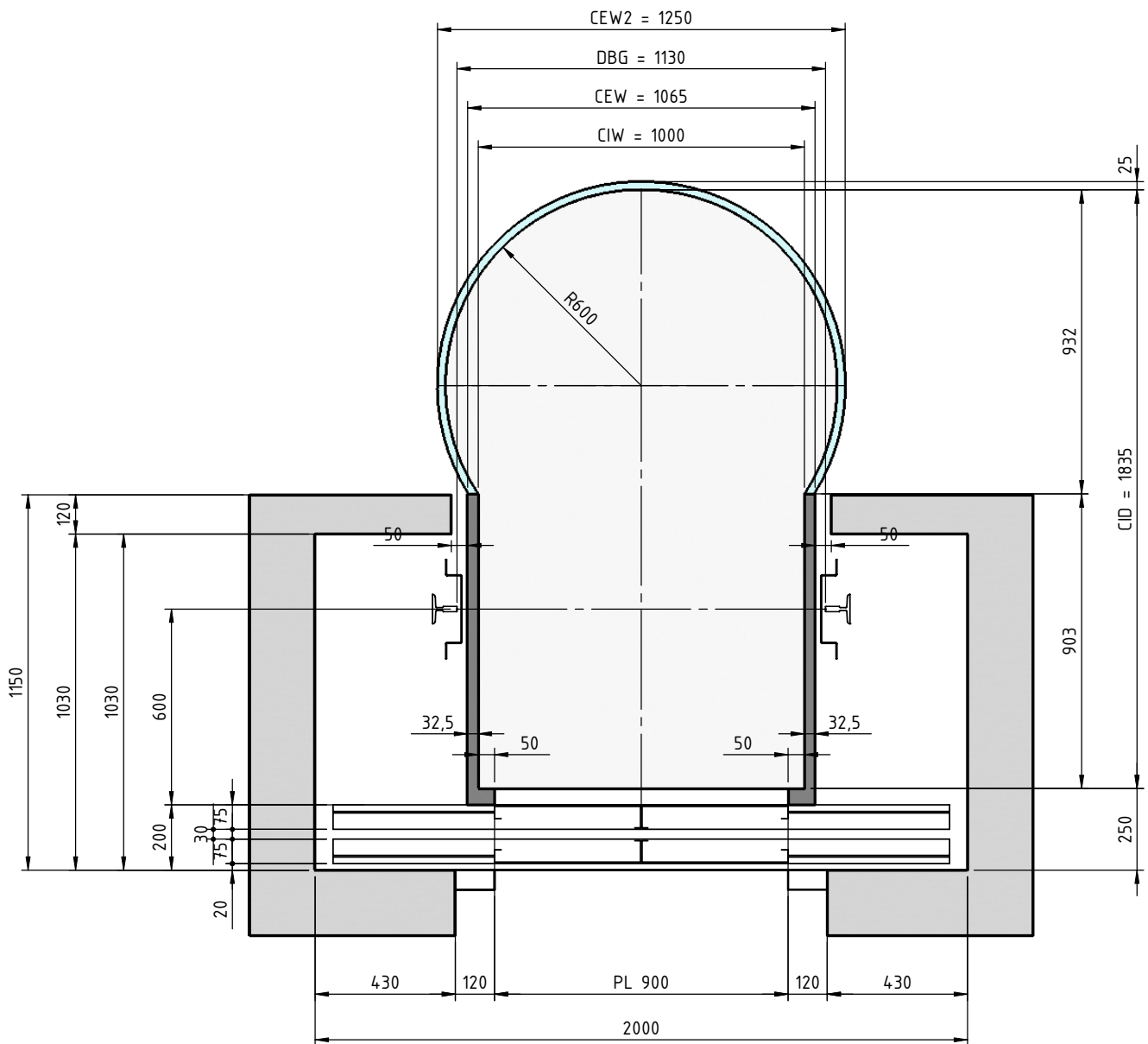
Shape = P09
 Rated Load = 1275 kg
 Traction = Electric



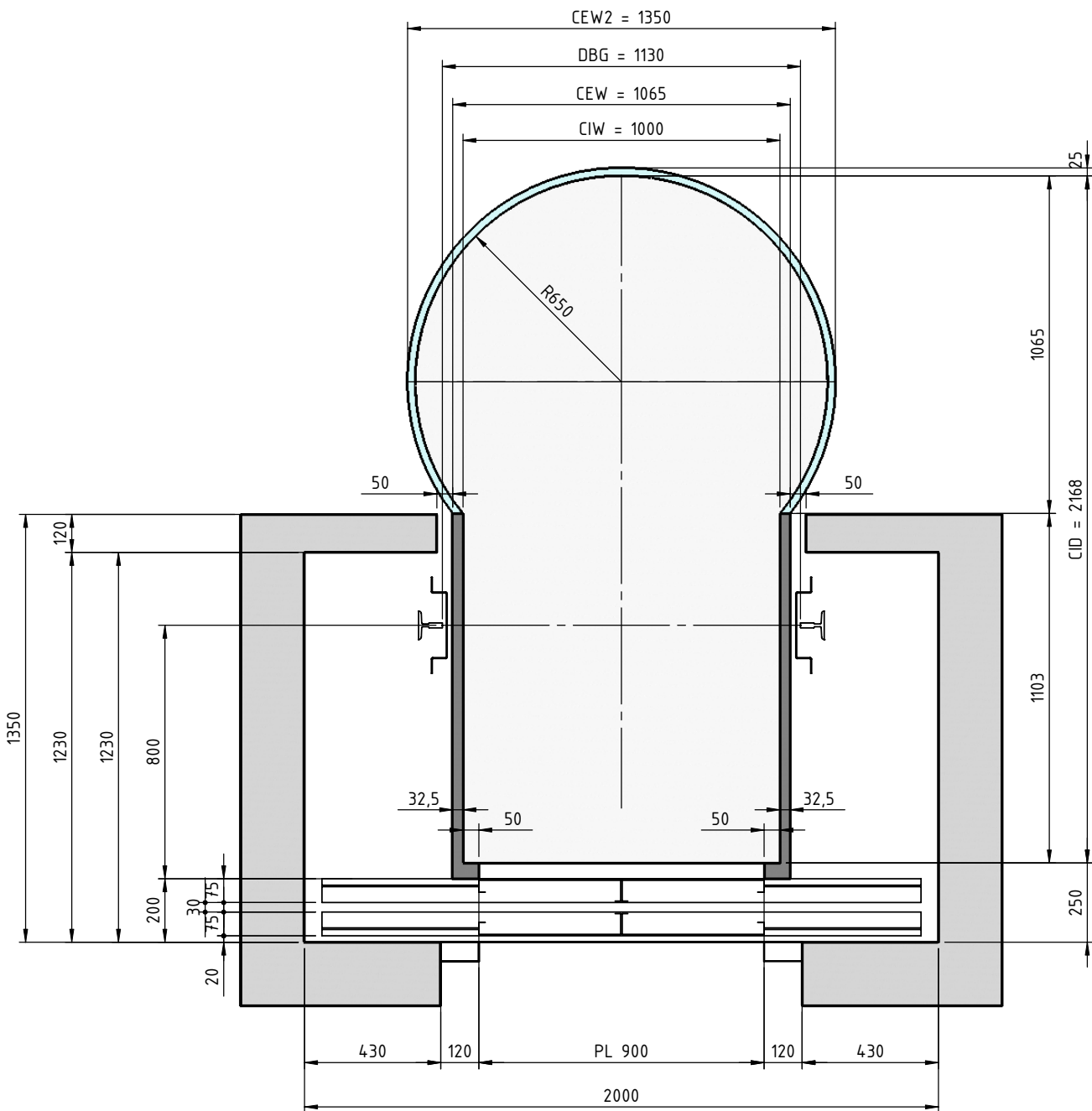
Shape = P10
 Rated Load = 630 kg
 Traction = Hydraulic



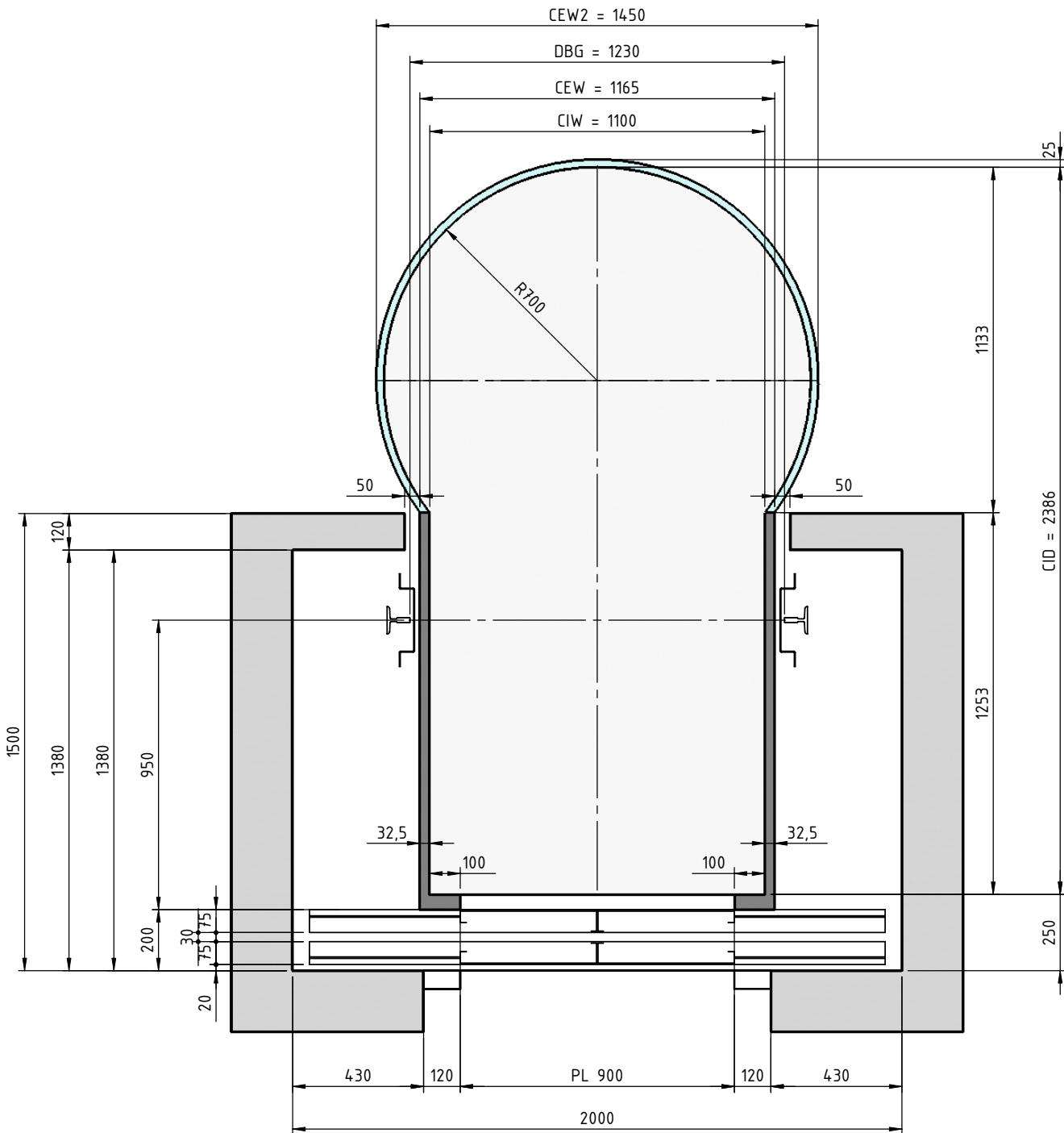
Shape = P10
Rated Load = 800 kg
Traction = Hydraulic



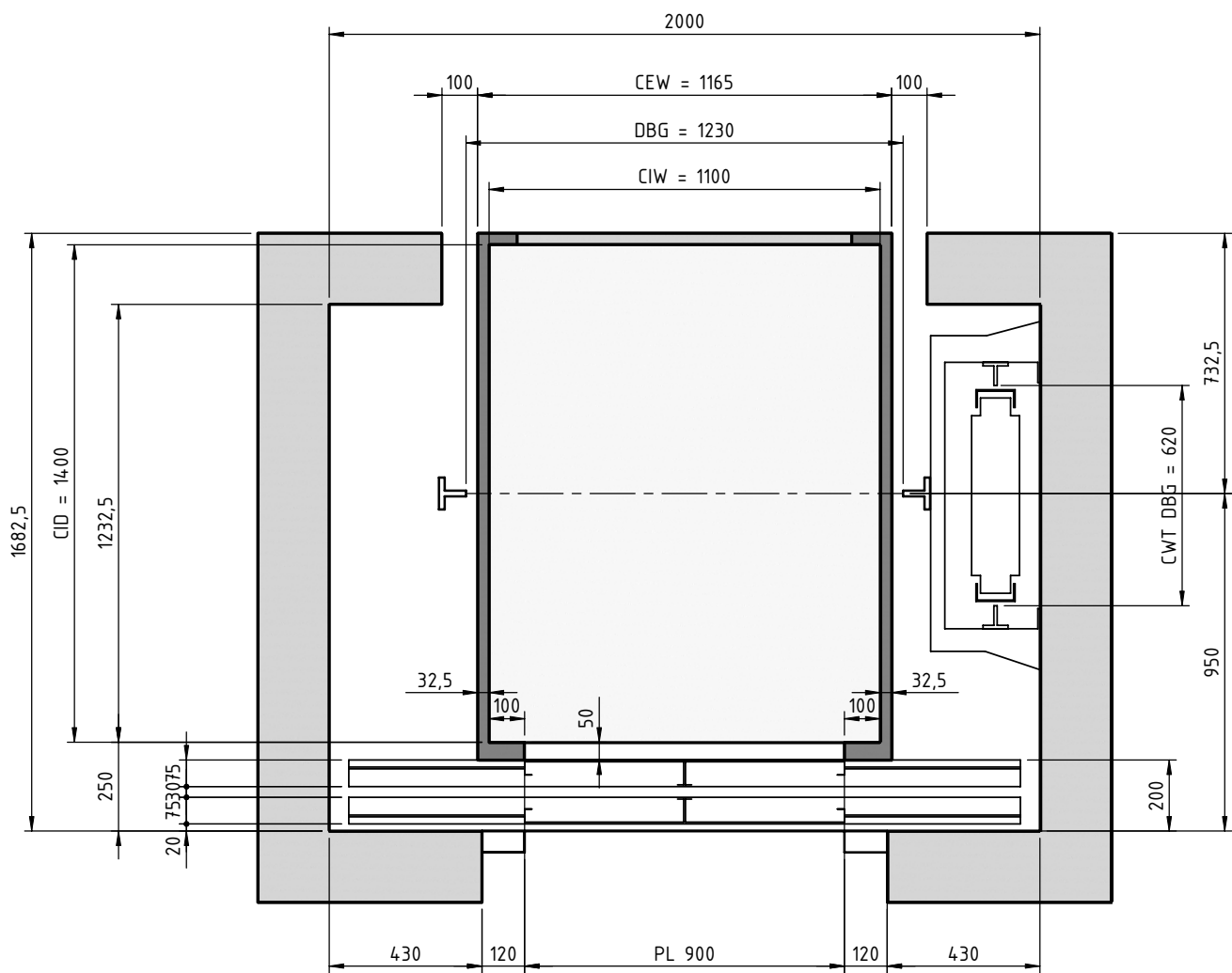
Shape = P10
 Rated Load = 1000 kg
 Traction = Hydraulic



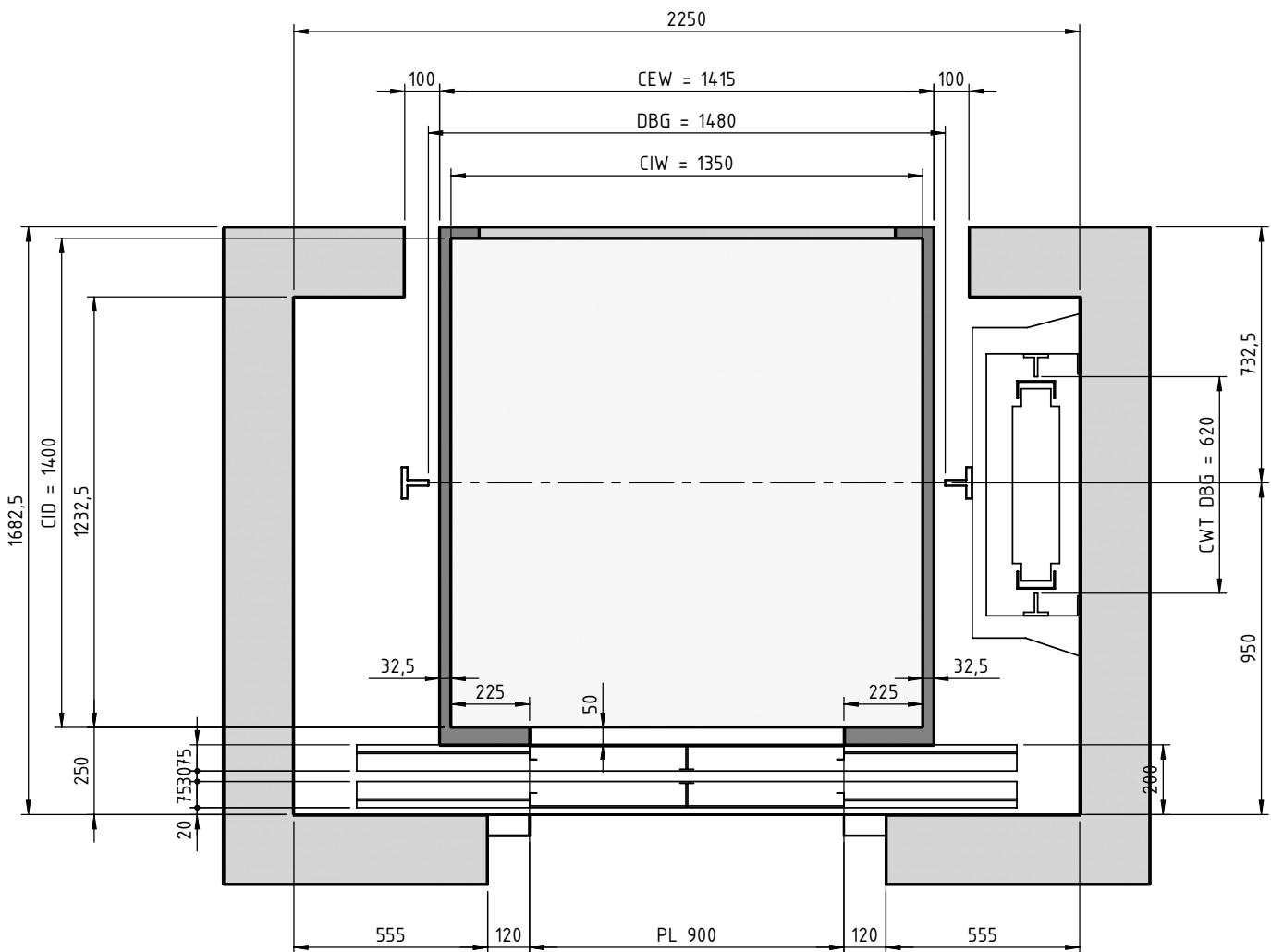
Shape = P10
 Rated Load = 1275 kg
 Traction = Hydraulic



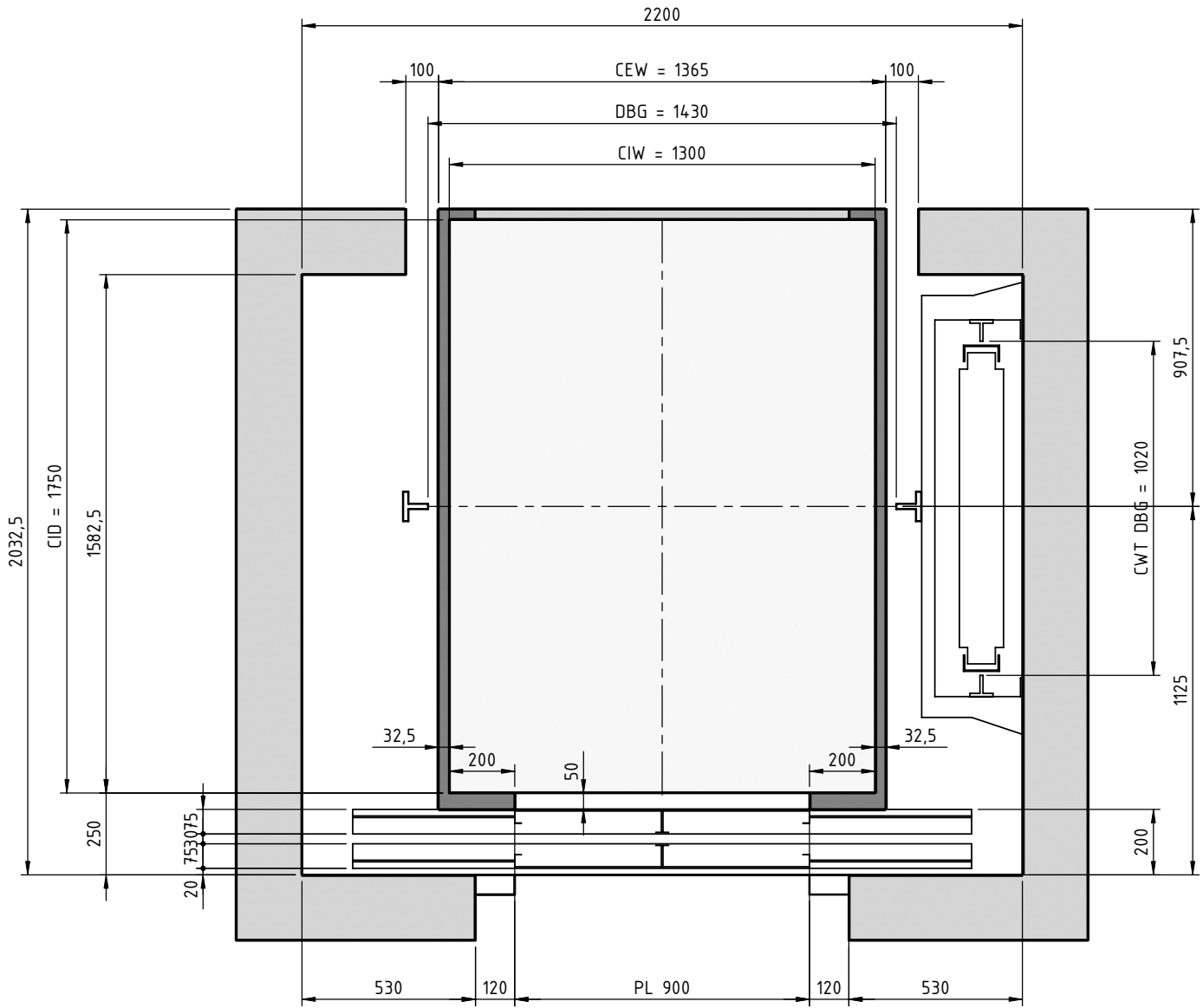
Shape = P11
 Rated Load = 630 kg
 Traction = Electric



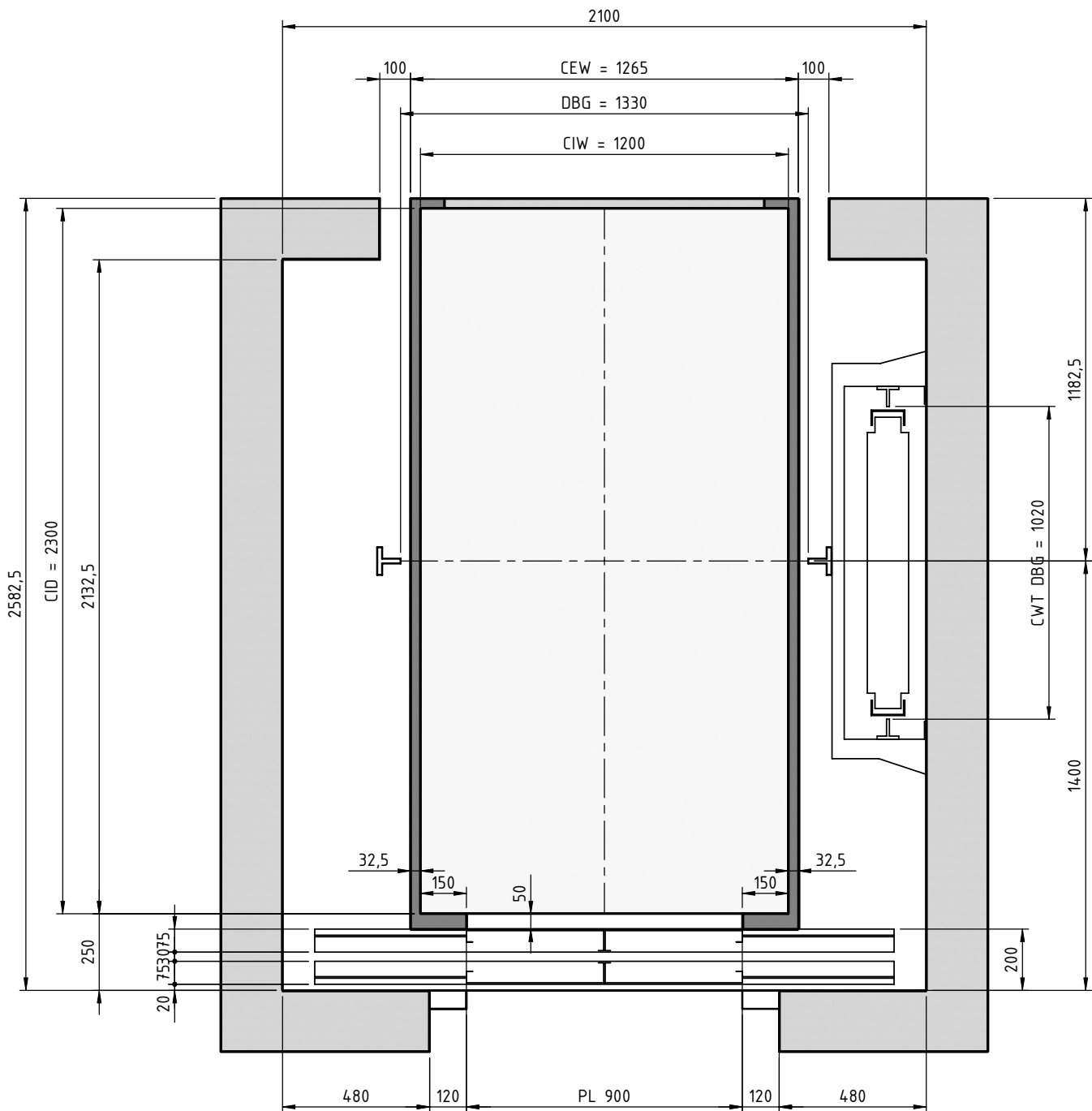
Shape = P11
 Rated Load = 800 kg
 Traction = Electric



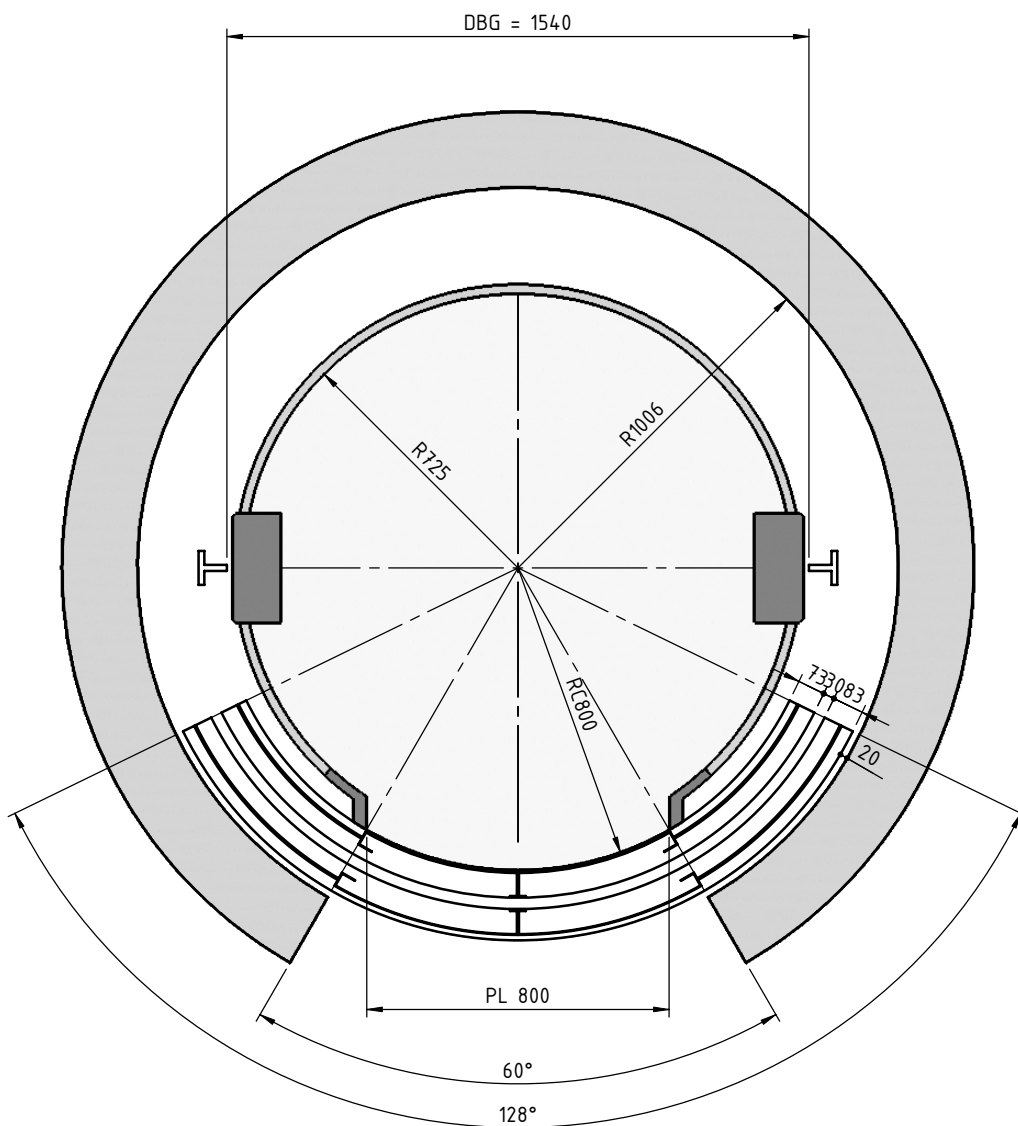
Shape = P11
 Rated Load = 1000 kg
 Traction = Electric



Shape = P11
 Rated Load = 1275 kg
 Traction = Electric

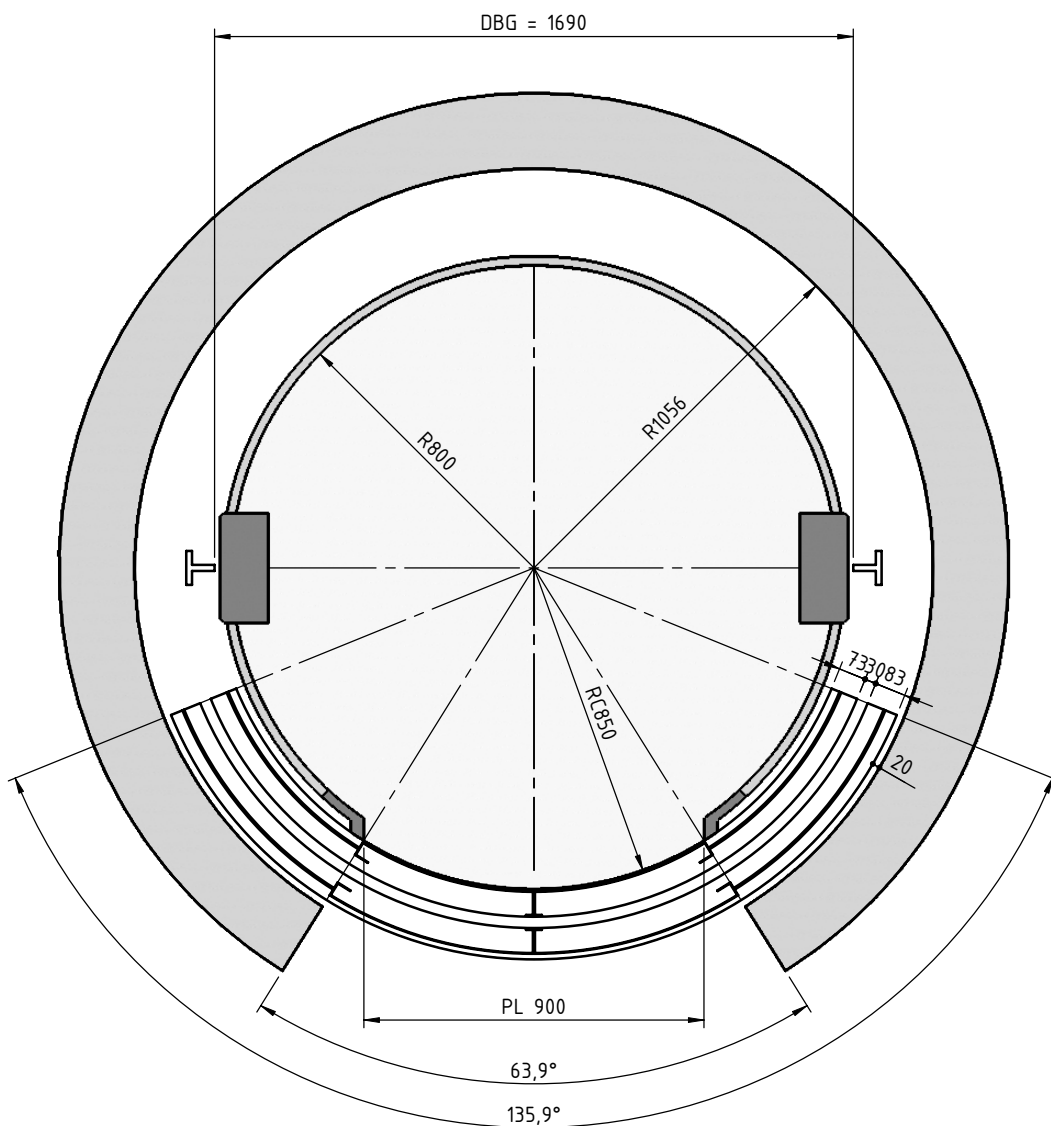


Shape = P12
Rated Load = 630 kg
Traction = Hydraulic



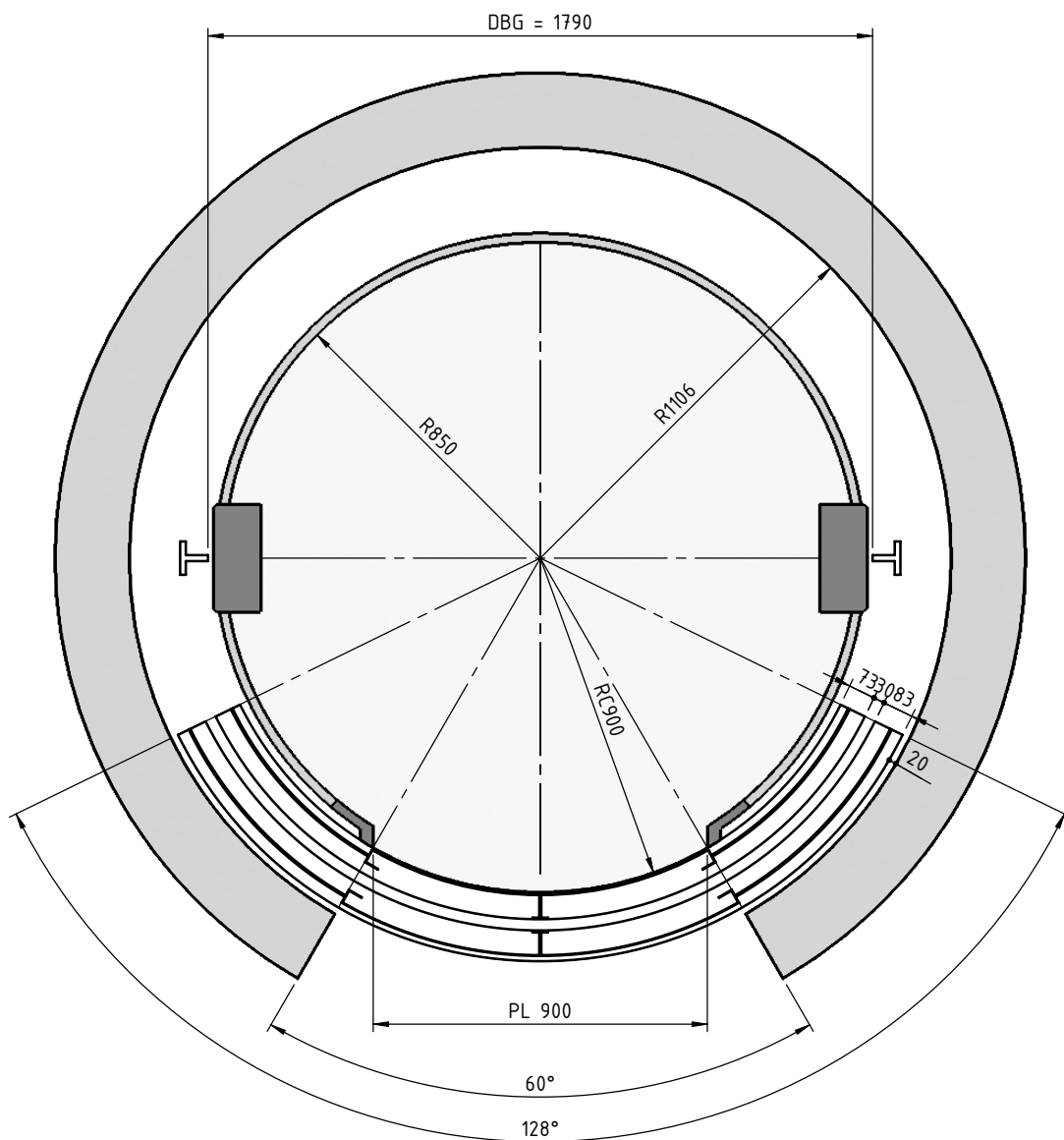
Panoramic Cars Layout

Shape = P12
Rated Load = 800 kg
Traction = Hydraulic

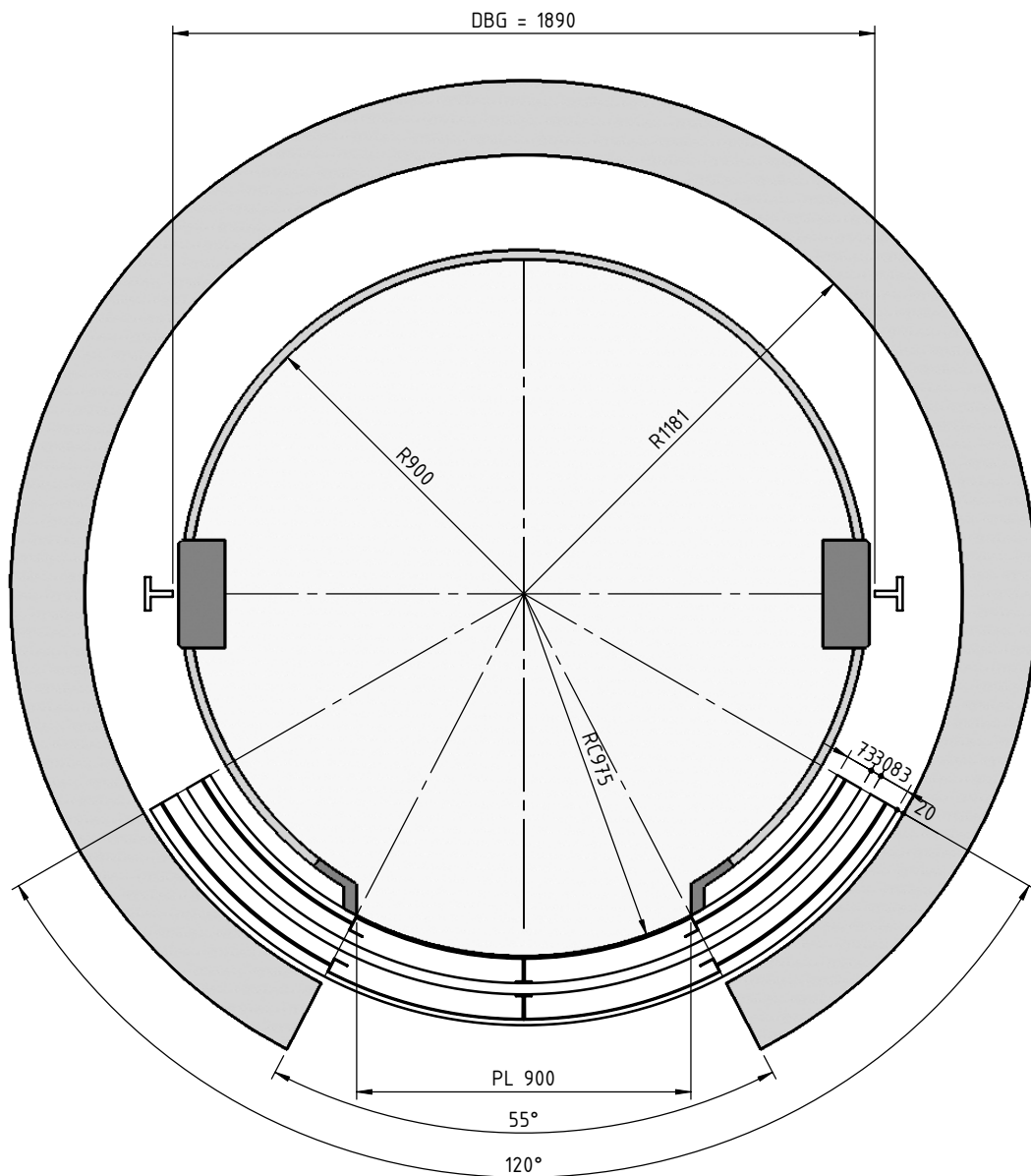


Panoramic Cars Layout

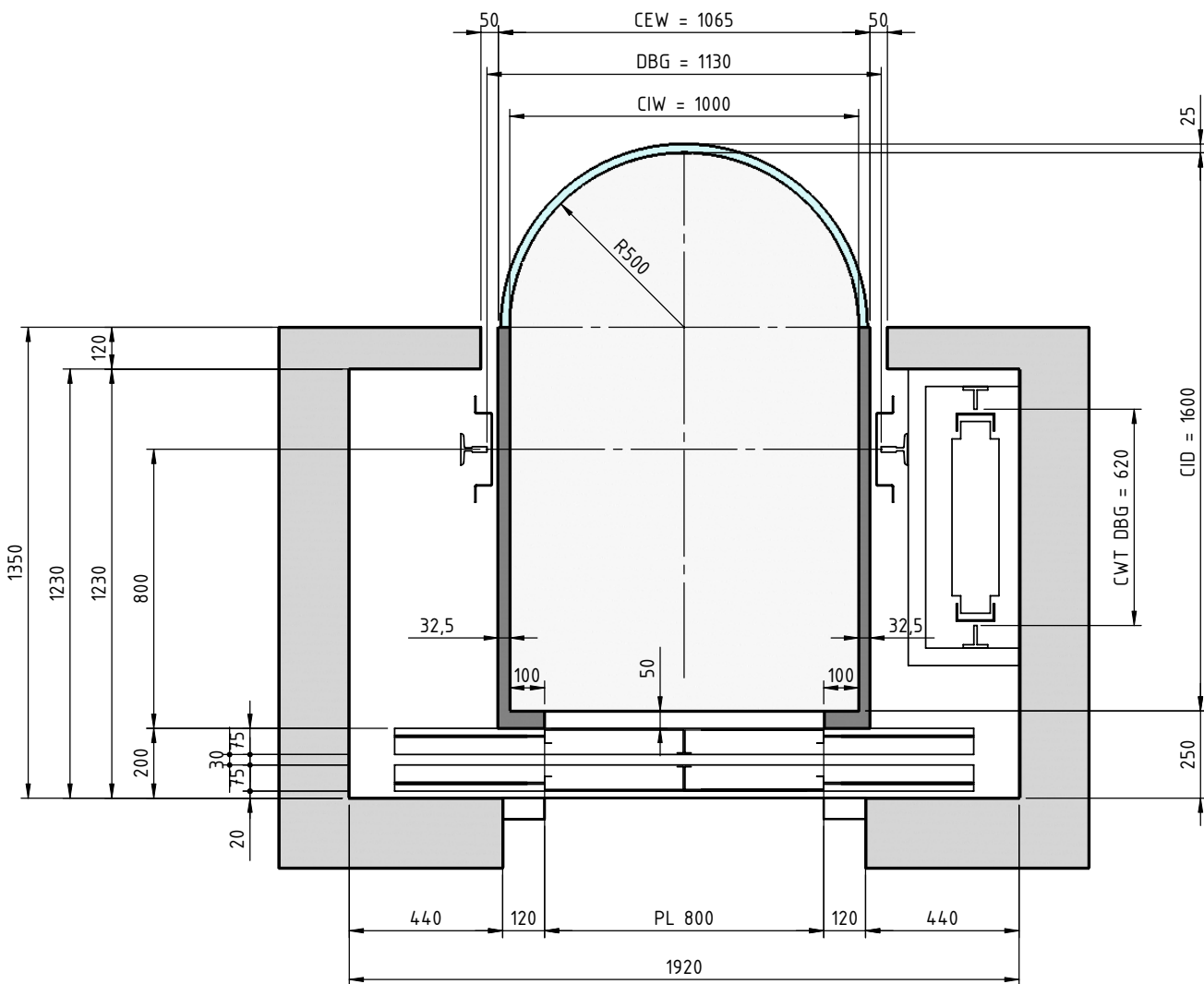
Shape = P12
Rated Load = 1000 kg
Traction = Hydraulic



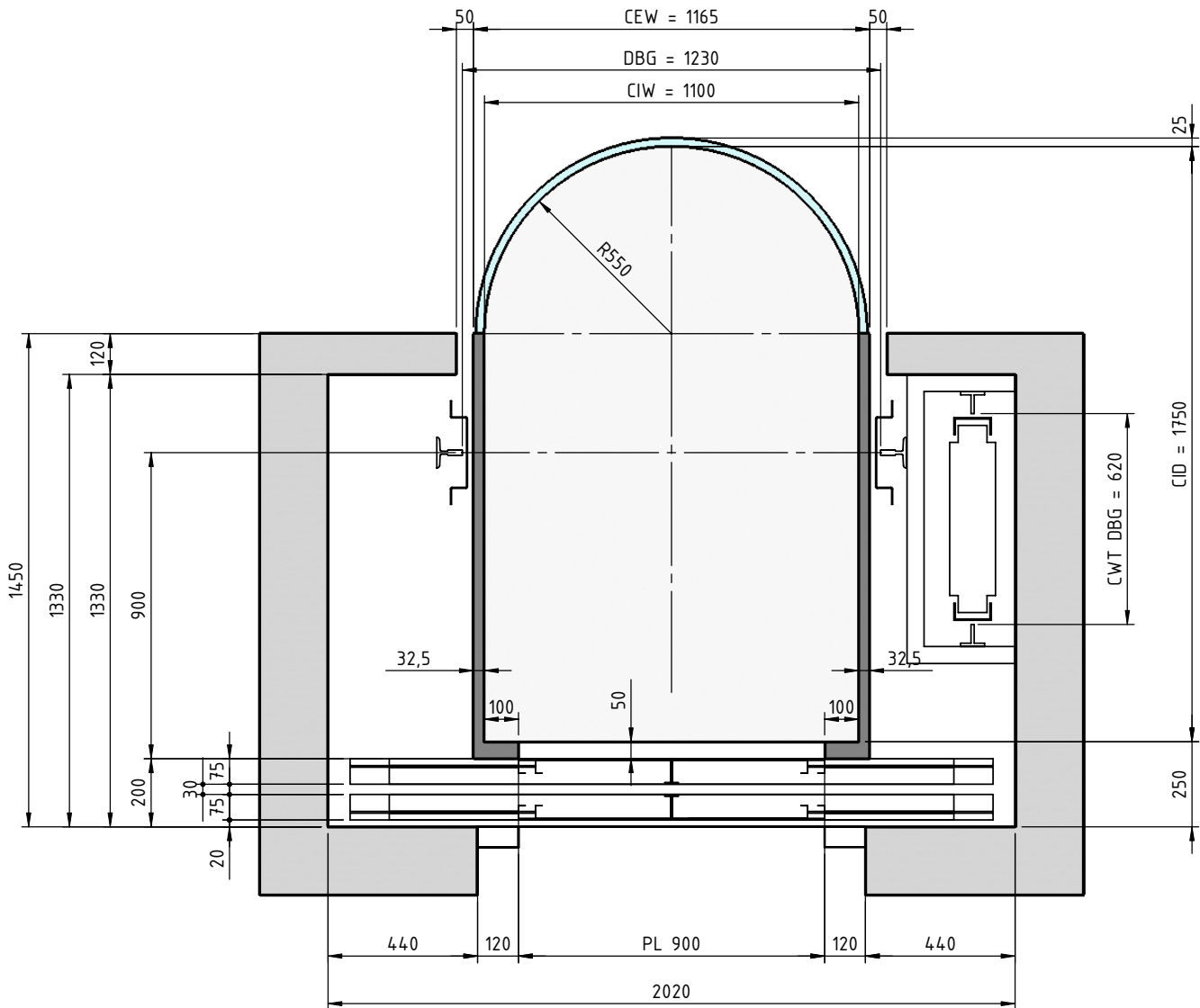
Shape = P12
Rated Load = 1275 kg
Traction = Hydraulic



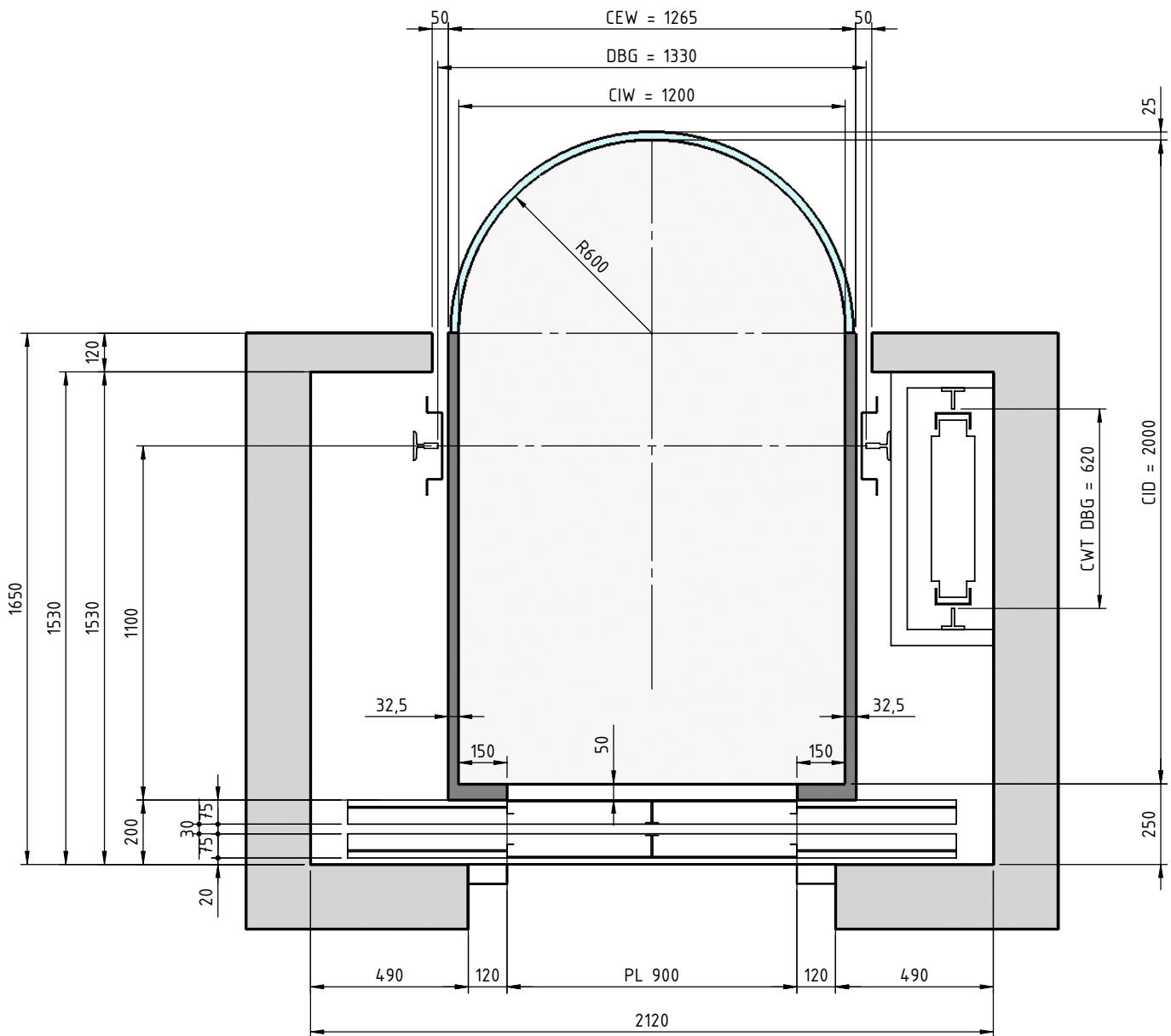
Shape = P13
 Rated Load = 630 kg
 Traction = Electric



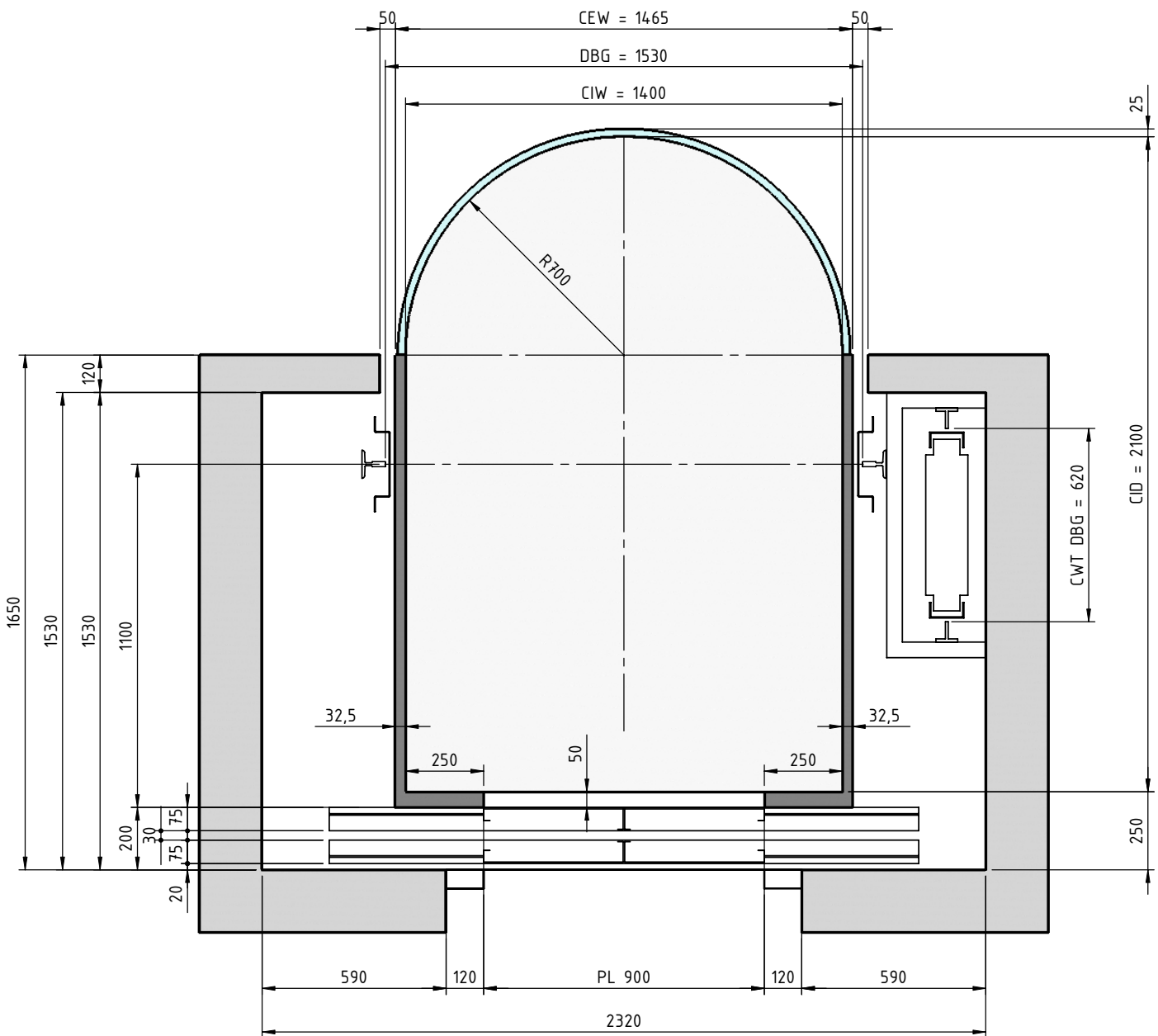
Shape = P13
 Rated Load = 800 kg
 Traction = Electric



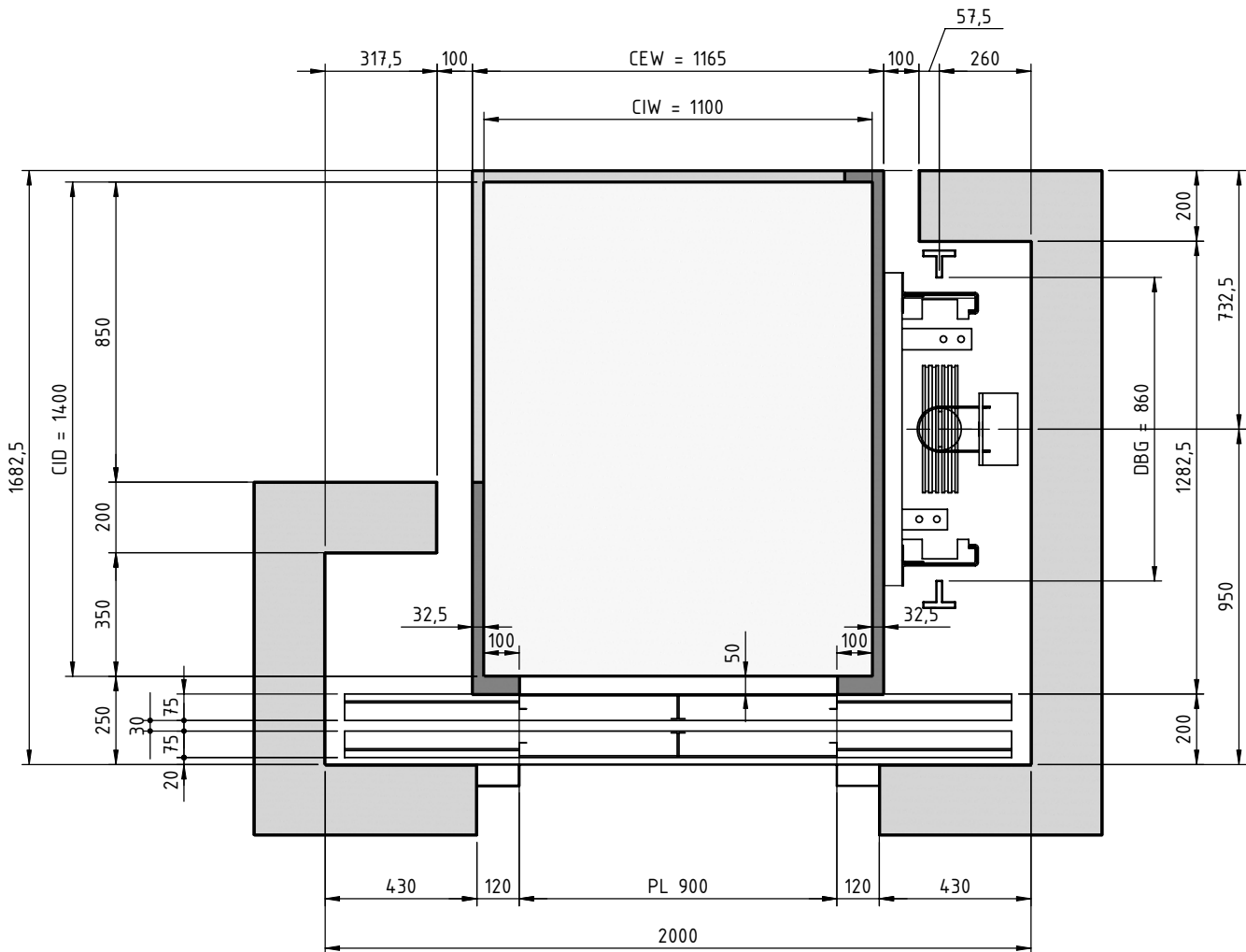
Shape = P13
 Rated Load = 1000 kg
 Traction = Electric



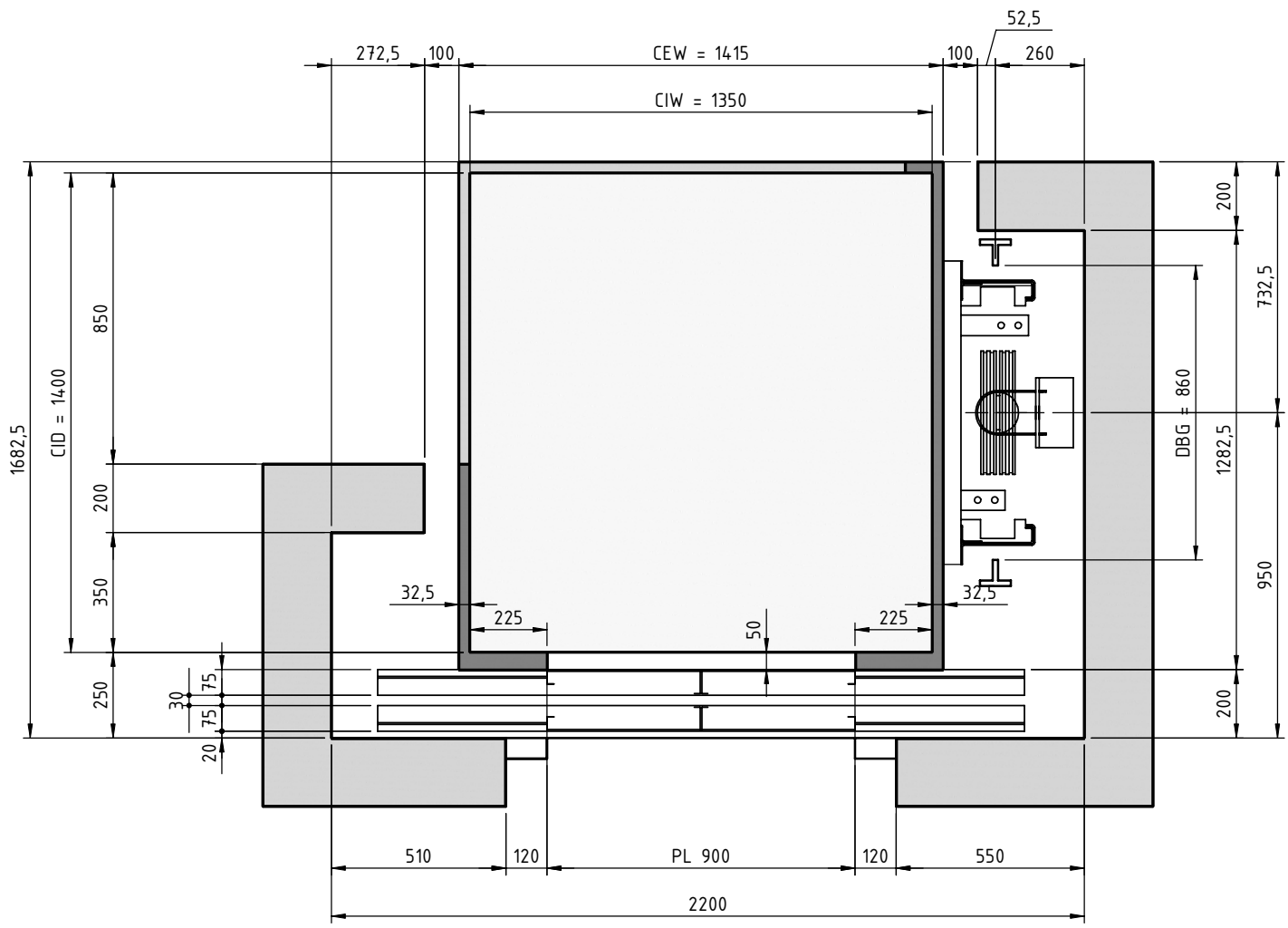
Shape = P13
 Rated Load = 1275 kg
 Traction = Electric



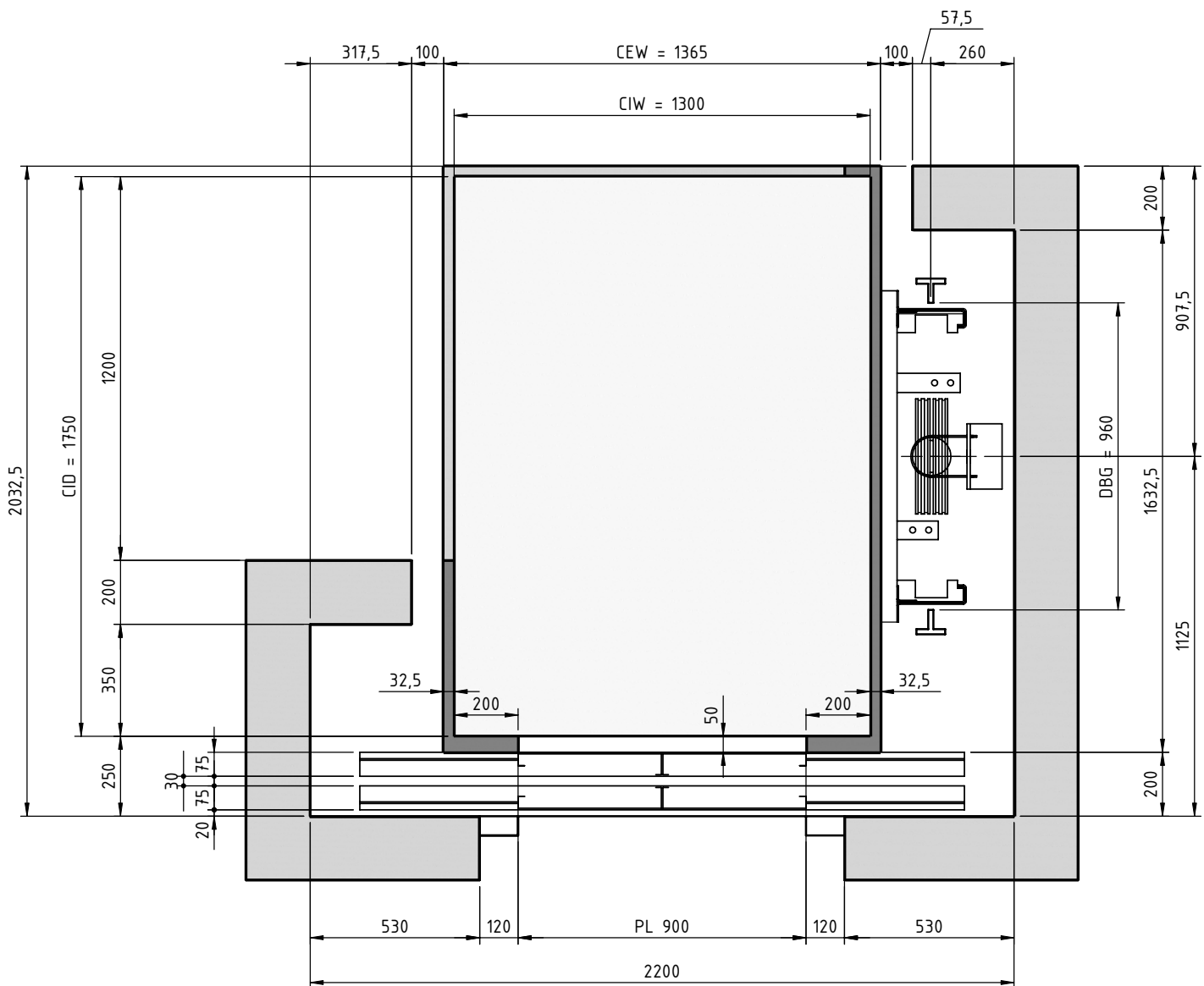
Shape = P19
 Rated Load = 630 kg
 Traction = Electric



Shape = P19
 Rated Load = 800 kg
 Traction = Electric



Shape = P19
 Rated Load = 1000 kg
 Traction = Electric



Shape = P19
 Rated Load = 1000 kg
 Traction = Electric

